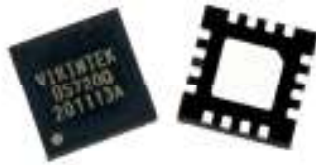


F2F Decoder IC

Dual track, BS720 series



4x4mm QFN16
BS720Q



9.90x3.90mm SOP16
BS720S

Features

- 0.5um CMOS ASIC IC for F2F magnetic stripe card reader
- Against the interference from Electronic Article Surveillance (EAS)
- Small outline and surface mount design
- **Very few external components, can be built inside Mag. Head (BS720Q)**
- Built-in operational amplification circuitry
- Low power: Current Max. 3.3mA, best for portable, hand-held devices
- Operational power DC 2.7V ~ 5.5V
- RCP width is 60us+10%
- Power down mode for stand-by control
- Support for 75/210 BPI recording density
- Speed range: 300 to more than 12600 BIT/sec
- Auto-gain control technology
- Noise Filter technology
- Old/Bad issued card reading improvement

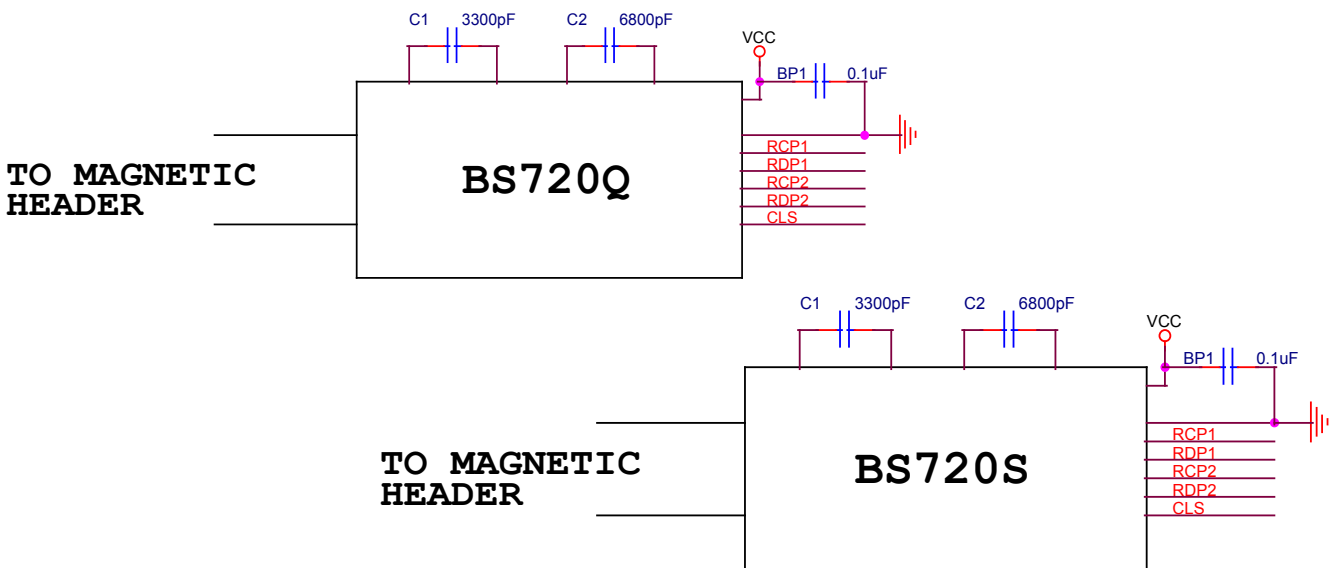
Application

- Magnetic stripe card reader
- POS Keyboard
- Security Control
- CAT (Card Authorization Terminal)

Specification

- Power Voltage: DC2.7V ~ 5.5V
- Consumption: 2.5mA /DC 3.3V; 3.3mA /DC 5.0V
- Reading Speed Range : 10 cm/sec ~ 150cm/sec
- MTBF: 100,000 hrs
- Environment :
 - Temperature: Operating: -10°C ~ 55°C;
 - Storage: -30°C ~ 70°C
 - Humidity: Operating: 10% ~ 90%;
 - Storage: up to 100%

BS720 series block diagram



The best-suggested circuitry will be provided according to the different Mag. Head.